

ENERPAC 

ZG5/ZG6 Gas Hydraulic Pumps



ENERPAC 
Hydraulic Technology Worldwide

The next generation
in gasoline powered
hydraulic pumps

Z Tough.
Dependable.
Innovative.
CLASSIC

ZG5/ZG6, Gasoline Hydraulic Pumps

▼ Shown from left to right: ZG6440MX-BCFH, ZG5420MX-B



Z

Tough.
Dependable.
Innovative.

CLASS

- Features **Z-Class** high efficiency pump design, higher oil flow and bypass pressure
- **Two-speed operation** reduces cycle time for improved productivity
- **Full sight oil level glass** on all reservoirs allow quick and easy oil level monitoring.
- **ZG5** is available in two 4-cycle engine sizes: 5.5 hp Honda and 6.5 hp Briggs & Stratton
- **ZG6** has Briggs & Stratton 13 hp engine with electric start, pressurized oil and 16-amp charge output for accessories
- **Sturdy wheeled cart** for ZG6 transport over uneven terrain with collapsible handles
- **Dual forced air heat exchanger** on ZG6 for maintaining hydraulic oil temperature



User Adjustable Relief Valve

All VM-Series directional valves have a user adjustable relief valve to allow the operator to easily set the optimum working pressure.



High Pressure Hoses

Enerpac offers a complete line of high quality hydraulic hoses. To ensure the integrity of your system, specify only genuine Enerpac hydraulic hoses.

▼ SELECTION CHART

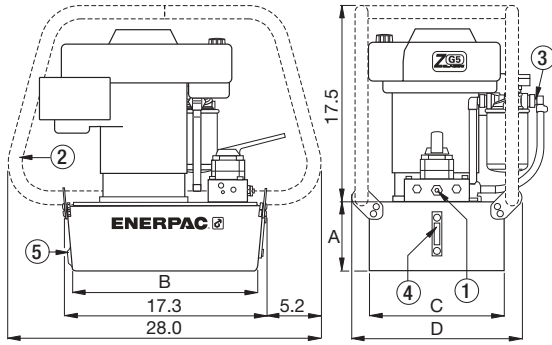
Used with Cylinder	Usable Oil Capacity (gal)	Valve Model Number	Valve Function	Model Number	Motor Manufacturer	Motor Size (hp)	Weight (lbs)
Single-Acting	2.5	VM33	Advance/ Hold/ Retract	ZG5310MX-R	Honda	5.5	113.6
	5.0			ZG5320MX-R			140.9
Double-Acting	2.5	VM43		ZG5410MX-R			113.6
	5.0			ZG5420MX-R			141.0
Single-Acting	2.5	VM33		ZG5310MX-BR	Briggs & Stratton	6.5	111.0
	5.0			ZG5320MX-BR			138.3
Double-Acting	2.5	VM43		ZG5410MX-BR			111.1
	5.0			ZG5420MX-BR			138.4
	10.0	VM43		ZG6440MX-BCFH		13.0	334.0

Gasoline Hydraulic Pumps

ZG5/ ZG6 Series



ZG5



- ① User adjustable relief valve on all manual valves. 3/8" NPTF on A and B ports; 1/4" NPTF on auxiliary ports.
- ② Roll Bar (optional)
- ③ Return Line Filter (optional)
- ④ Oil Level Gauge
- ⑤ Oil Drain

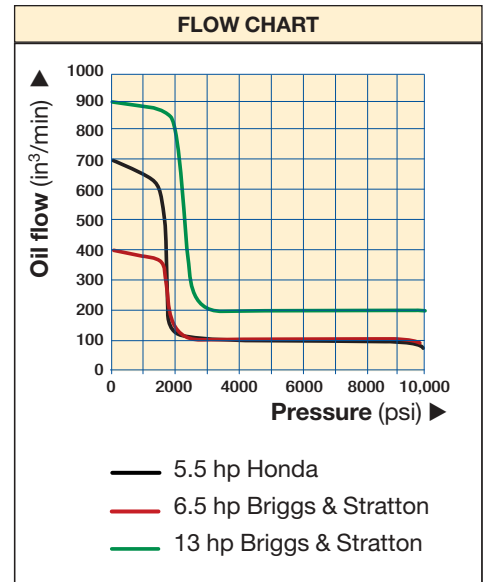
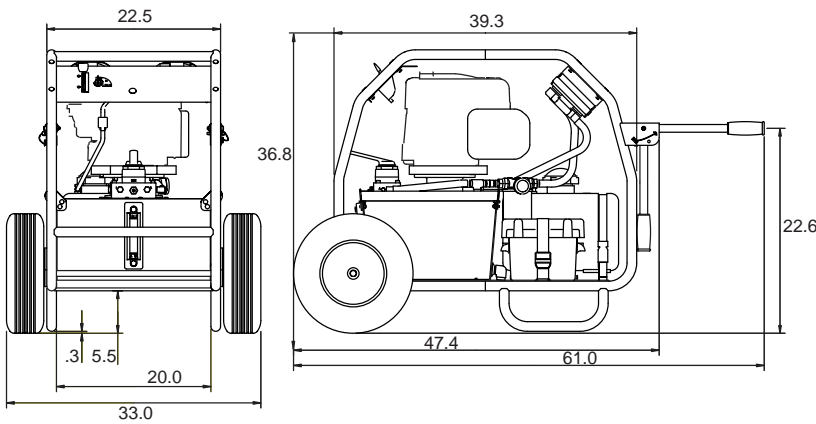
Reservoir Capacity:
2.5-10 gal.

Flow at Rated Pressure:
100-200 in³/min

Engine Size:
5.5, 6.5 and 13 hp

Maximum Operating Pressure:
10,000 psi

ZG6



ZG5 Dimensions (in)				
Reservoir Size (gal)	A	B	C	D
2.5	6.1	16.5	12.0	15.1
5.0	7.1	16.3	16.6	19.7
10.0	10.6	15.7	19.9	22.7

Motor Size		Output Flow Rate (in ³ /min)				Relief Valve Adjustment Range (psi)	Sound Level (dBA)
hp	RPM	100 psi	700 psi	5,000 psi	10,000 psi		
5.5	3600	700	650	110	100	1000 - 10,000	88 - 93
6.5	3600	400	380	110	100		91 - 95
13.0	3600	900	885	225	200		91 - 95

ZG5/ZG6, Gas Hydraulic Pumps



ENERPAC 

The Industrial Tools Line

Cylinders

- General Purpose
- Pancake
- Aluminum Lightweight
- Low Height
- Heavy Duty
- Hollow Plunger
- Industrial
- Pull
- Long Stroke
- Jacks
- Spread

Pumps

- Manual
- Electric Driven
- Compressed Air Driven
- Petrol Driven

System Components

- Hoses, Couplers, Oil
- Gauges, Adaptors
- Manifolds, Fittings

Valves

- 3-and 4-Way Directional
- Pressure and Flow Control

Presses

- Bench and Workshop
- Roll Frame Presses
- Arbor and C-Clamps

Pullers

- Master Pullers Sets
- Multi Purpose Puller Sets
- Posi Lock® Pullers

Tools

- Maintenance Sets
- Punches
- Machine Lifts
- Load Skates
- Cutters
- Pipe Benders

Bolting Tools

- Nut Splitters
- Flange/Wedge Spreaders
- Flange Alignment Tools
- Torque Wrenches
- Hydraulic Wrench Pumps
- Twin Safety Hoses

Integrated Hydraulic Solutions

- Stage Lift Systems
- Synchronous Lifting Systems
- Synchronous Hoisting Systems

Enerpac Worldwide Locations

Africa

ENERPAC Middle East FZE
P.O. Box 18004
Jebel Ali, Dubai
United Arab Emirates
Tel: +971 (0)4 8872686
Fax: +971 (0)4 8872687

Australia

Actuant Australia Ltd.
Block V Unit 3
Regents Park Estate
391 Park Road
Regents Park NSW 2143
(P.O. Box 261) Australia
Tel: +61 297 438 988
Fax: +61 297 438 648

Brazil

Power Packer do Brasil Ltda.
Rua dos Inocentes, 587
04764-050 - Sao Paulo (SP)
Tel: +55 11 5687 2211
Fax: +55 11 5686 5583
Toll Free in Brazil:
Tel: 0800 891 5770
vendabrasil@enerpac.com

Canada

Actuant Canada Corporation
6615 Ordan Drive, Unit 14-15
Mississauga, Ontario L5T 1X2
Tel: +1 905 564 5749
Fax: +1 905 564 0305
Toll Free:
Tel: +1 800 268 4987
Fax: +1 800 461 2456
Technical Inquiries:
techservices@enerpac.com

China

Actuant China Ltd.
1F, 269 Fute N. Road
Waigaoqiao Free Trade Zone
Pudong New District
Shanghai, 200 131 China
Tel: +86 21 5866 9099
Fax: +86 21 5866 7156

Actuant China Ltd. (Beijing)
709B Diyang Building
Xin No. 2
Dong San Huan North Rd.
Beijing City
100028 China
Tel: +86 10 845 36166
Fax: +86 10 845 36220

Central and Eastern Europe, Greece

ENERPAC B.V.
Galvanistraat 115
P.O. Box 8097
6710 AB Ede
The Netherlands
Tel: +31 318 535 936
Fax: +31 318 535 951

France, Switzerland francophone

ENERPAC
Une division de ACTUANT
France S.A.
B.P. 200, Parc d'Activités
du Moulin de Massy
F-91882 Massy CEDEX France
Tel: +33 1 60 13 68 68
Fax: +33 1 69 20 37 50

Germany, Austria and Switzerland

ENERPAC GmbH
P.O. Box 300113
D-40401 Düsseldorf
Germany
Tel: +49 211 471 490
Fax: +49 211 471 49 28

India

ENERPAC Hydraulics
(India) Pvt. Ltd.
Office No. 9,10 & 11,
Plot No. 56, Monarch Plaza,
Sector 11, C.B.D. Belapur
Navi Mumbai 400614,
India
Tel: +91 22 2756 6090
Tel: +91 22 2756 6091
Fax: +91 22 2756 6095

Italy

ENERPAC S.p.A.
Via Canova 4
20094 Corsico (Milano)
Tel: +39 02 4861 111
Fax: +39 02 4860 1288

Japan

Applied Power Japan Ltd.
Besshochou 85-7
Saitama-shi, Kita-ku,
Saitama 331-0821
Japan
Tel: +81 48 662 4911
Fax: +81 48 662 4955

Middle East, Turkey and Caspian Sea

ENERPAC Middle East FZE
P.O. Box 18004, Jebel Ali, Dubai
United Arab Emirates
Tel: +971 (0)4 8872686
Fax: +971 (0)4 8872687

Russia and CIS

(excl. Caspian Sea Countries)
Actuant LLC
Admiral Makarov Street 8
125212 Moscow, Russia
Tel: +7-495-9809091
Fax: +7-495-9809092

Singapore

Actuant Asia Pte. Ltd.
25 Serangoon North Ave. 5
#03-01 Keppel Dighub
Singapore 554914
Thomson Road, P.O. Box 114
Singapore 915704
Tel: +65 64 84 5108
Tel: +65 64 84 3737
Fax: +65 64 84 5669

Toll Free:

Tel: +1800 363 7722

Technical Inquiries:

techsupport@enerpac.com.sg

South Korea

Actuant Korea Ltd.
3Ba 717,
Shihwa Industrial Complex
Jungwang-Dong, Shihung-Shi,
Kyunggi-Do
Republic of Korea 429-450
Tel: +82 31 434 4506
Fax: +82 31 434 4507

Spain and Portugal

ENERPAC
C/San José Artesano 8
Pol. Ind.
28108 Alcobendas
(Madrid) Spain
Tel: +34 91 661 11 25
Fax: +34 91 661 47 89

The Netherlands, Belgium, Luxembourg, Sweden, Denmark, Norway, Finland and Baltic States

ENERPAC B.V.
Galvanistraat 115
P.O. Box 8097,
6710 AB Ede
The Netherlands
Tel: +31 318 535 911
Fax: +31 318 525 613
+31 318 535 848
Technical Inquiries Europe:
techsupport.europe@enerpac.com

United Kingdom and Ireland

ENERPAC Ltd.,
Bentley Road South
Darlaston, West Midlands
WS10 8LQ, United Kingdom
Tel: +44 (0)121 50 50 787
Fax: +44 (0)121 50 50 799

USA, Latin America and Caribbean

ENERPAC
P.O. Box 3241
6100 N. Baker Road
Milwaukee, WI 53209 USA
Tel: +1 262 781 6600
Fax: +1 262 783 9562
Inquiries/orders:
+1 800 558 0530
Technical Inquiries:
techservices@enerpac.com

020906

Your Enerpac Distributor:

e-mail: info@enerpac.com

Internet: www.enerpac.com