

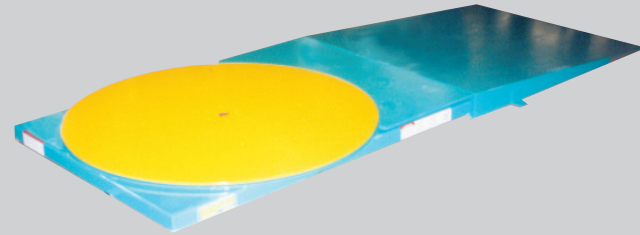
# GUARDIAN LIFT TABLES

## LIFT 'N SPIN Low Profile Lift Tables

The "Lift 'n Spin" has all of the features of our standard low profile Guardian Series lift tables with the added advantage of a built-in rotating top. The rotating top greatly enhances the operation of the lift table by reducing reach effort or walking around in order to access the load.

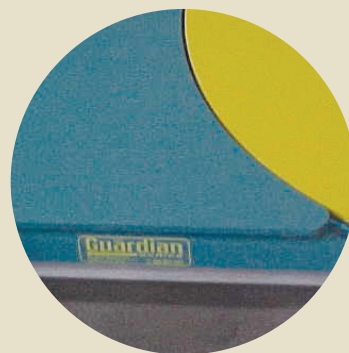
With a lowered height of only 4 1/4" the "Lift 'n Spin" can be loaded with a manual or electric pallet truck using the optional ramp. This is easily accomplished by the exclusive "Auto-Transition" plate that provides a smooth transition from the ramp onto the rotating top.

The Guardian Series meets and exceeds both U.S. (ANSI) and European safety standards.

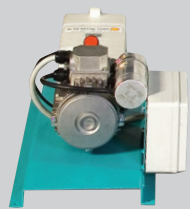


### Auto-Transition Plate

The exclusive Auto-Transition Plate is a key feature of the Lift-N-Spin. This Auto-Transition Plate provides a smooth surface from the ramp onto the rotating top. Once the lift is raised 1/4" the Auto-Transition plate automatically lowers to allow the top to spin. When the table is fully lowered, the Auto-Transition Plate automatically raises again to provide a smooth surface to load the next pallet.



For standard features on all Guardian Lift Tables see page 3



The Remote Power Unit features a 1 HP motor. This is a highly efficient and quiet pump motor combination. A three-button control box has 115-volt single phase and runs on a 20 amp circuit. 230/460 3 phase is optional.

### Options:

Rotation brake in lowered position, Foot Controls, 48" Round Top

VERTICAL TRAVEL	MODEL	CAPACITY (LBS.)	PLATFORM SIZE	BASE FRAME	LOWERED HEIGHT	RAISED HEIGHT	LIFT SPEED (SECONDS)	MOTOR (HP)
30 3/4	LPBL-20-2-LS	2,000	39 1/2 X 55	29 X 52 3/4	4 1/4	35	18	1

# GUARDIAN LIFT TABLES

## Low Profile Series

A New Line of Lift Tables  
Offering the Ultimate in  
Safety and Convenience



Model LPBLU-20-1  
Low Profile  
"U" Shaped Series



Model LPBL-10-1  
Low Profile Series



Model LPBLE-20-1  
Low Profile  
"E" Shaped Series



Model LPBLU-20-1  
Low Profile  
LIFT 'N' SPIN

LIFT PRODUCTS, INC.

LIFT PRODUCTS, INC.  
PO Box 349  
Elm Grove WI 53122-0349  
Toll Free: 877.LIFTPRO (877.543.8776)  
Fax: 262.860.1894  
Email: lpi@liftproducts.com  
Web: www.liftproducts.com

# LIFT PRODUCTS, INC.

P.O. BOX 349 Elm Grove, WI 53122-0349 Toll Free: 877.LIFTPRO (877.543.8776) Fax:262.860.1894 lpi@liftproducts.com  
www.liftproducts.com

# GUARDIAN LIFT TABLES

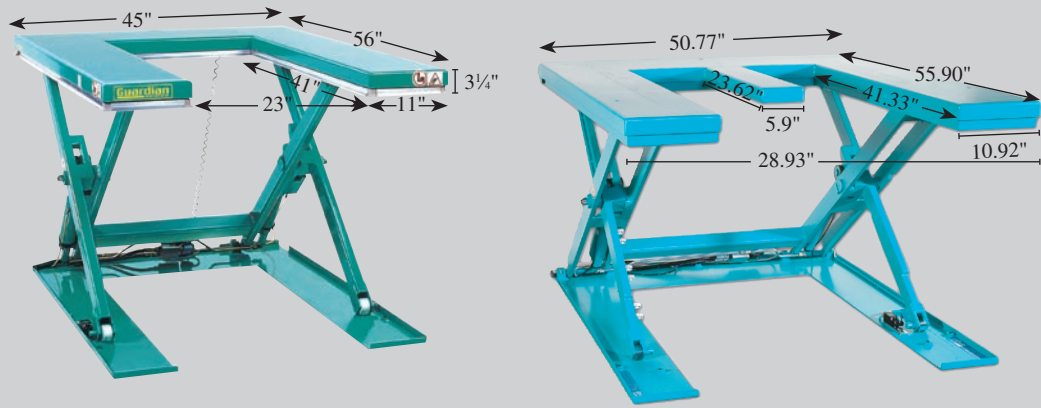
"U" and "E" Shaped  
Low Profile Lift Tables  
3 1/4" Lowered Height

The "U" and "E" Low Profile Tables have all the safety features of our Low Profile Guardian Series Lift Tables. The low profile feature provides greater flexibility since a variety of applications can be accommodated. Also, installation costs are reduced since the need for a floor pit is eliminated.

With capacities ranging from 2,200 pounds to 3,300 pounds, the Guardian Series low profile lift tables are available with either an "E" or "U" shaped top for numerous material handling applications.

The "U" shaped low profile table is ideal for handling wire baskets, containers, plastic and wooden open bottom pallets. This design allows loading with either a manual or electric pallet truck without the need for a loading ramp.

The E-Lift low profile lift table has all the same features as the U-Lift and the other Guardian low profile tables. It is available in a 2,200 lb capacity. The advantage of the E-Lift is the center opening measures 28.9" which is ideal for a standard 27" wide pallet truck. The added center support of the E-Lift is designed to help prevent the pallet from deflecting downward in the center due to the wider center area. The center support is shorter than the outside legs to allow easier access with the pallet truck. The E-Lift, like the U-Lift, is designed for use with open bottom pallets, skids, containers or wire baskets.



## "U" Shaped Lifts

VERTICAL TRAVEL	MODEL	CAPACITY (LBS.)	PLATFORM SIZE	BASE FRAME	LOWERED HEIGHT	RAISED HEIGHT	LIFT SPEED (SECONDS)	MOTOR (HP)
30 3/4	LPBLU-20-1	2,200	44 7/8 X 56*	42 X 52	3 1/8	33 7/8	18	1
29 1/2	LPBLU-30-1	3,300	45 5/8 X 59 7/8*	43 X 56 1/4	3 5/8	33 1/8	25	1

## "E" Shaped Lifts

VERTICAL TRAVEL	MODEL	CAPACITY (LBS.)	PLATFORM SIZE	BASE FRAME	LOWERED HEIGHT	RAISED HEIGHT	LIFT SPEED (SECONDS)	MOTOR (HP)
30 3/4	LPBLE -20-1	2,200	55 7/8 X 50	54 X 52	3 1/8	33 7/8	18	1

Rectangular Top  
Low Profile Lift Tables  
3 1/4" Lowered Height

# GUARDIAN LIFT TABLES

VERTICAL TRAVEL	MODEL	CAPACITY (LBS.)	PLATFORM SIZE	BASE FRAME	LOWERED HEIGHT	RAISED HEIGHT	LIFT SPEED (SECONDS)	MOTOR (HP)
30 3/4	LPBL-10-1	1,100	31 1/2 X 55	29 X 52 3/4	3 1/4	34	10	1
30 3/4	LPBL-10-2	1,100	39 1/2 X 55	29 X 52 3/4	3 1/4	34	10	1
30 3/4	LPBL-20-1	2,200	31 1/2 X 55	29 X 52 3/4	3 1/4	34	18	1
30 3/4	LPBL-20-2	2,200	39 1/2 X 55	29 X 52 3/4	3 1/4	34	18	1
29 1/2	LPBL-30-1	3,300	31 1/2 X 61	29 X 52 3/4	3 5/8	33 1/8	25	1
29 1/2	LPBL-30-2	3,300	39 1/2 X 61	29 X 52 3/4	3 5/8	33 1/8	25	1

Loading ramps match width of table and are available in 32" or 48" lengths. Custom ramps are available. Other sizes: Contact factory. Capacity based on evenly distributed loads. Dimensions shown + 1/8"

The Guardian Series meets and exceeds both U.S. (ANSI) and European safety standards.

### Standard Features:

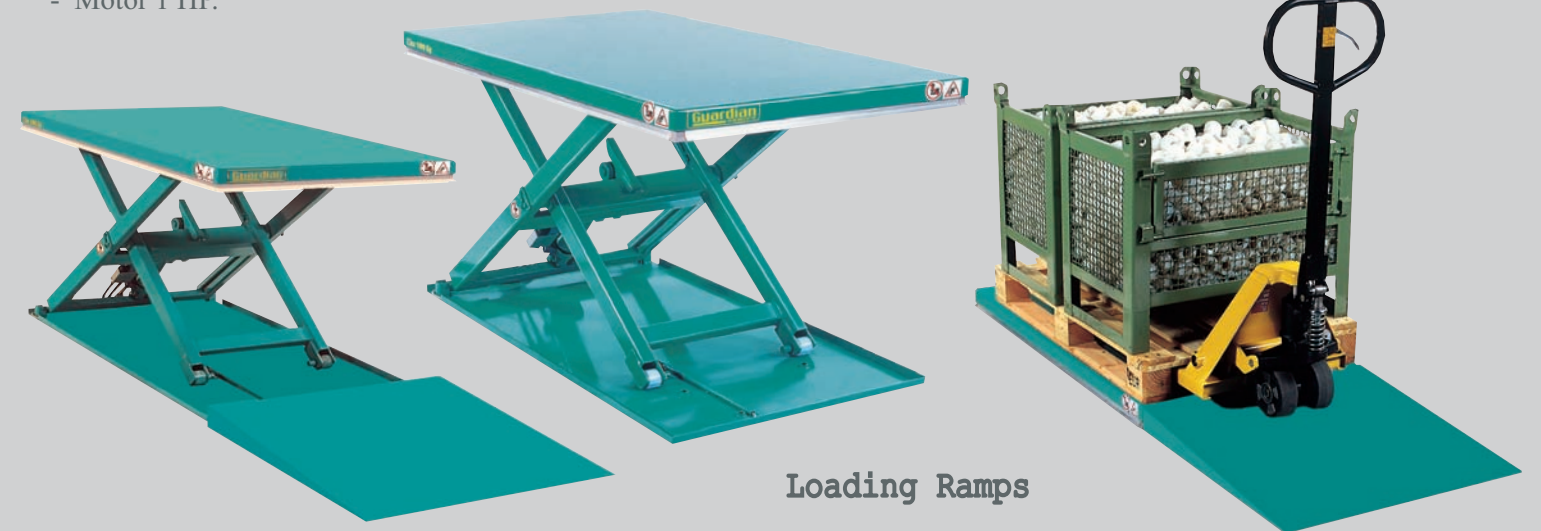
- Upper platform fitted with safety perimeter, which prevents descent on contact with obstructions.
- Low-tension (24V) control box with up-down buttons. In addition the "Guardian" Series includes an electric circuit reset button in case the safety perimeter is actuated.
- New design external power pack equipped with a relief valve against overloading and a compensated flow valve for controlling lowering speed. The power pack is supplied with hoses 8' long.
- 115 voltage single phase standard on 1,100 lb., 2,200 lb. and 3,300 lb. capacity units. 230/460 voltage three phase is optional.
- Upper limit switch.
- Single acting cylinders with drainage system and check valve to stop the lift table lowering in case of hose burst.
- Safety clearance between scissors to prevent trapping during operations.
- Mechanical blocks for safe maintenance operations.
- Self-lubricating bushings on pivot points.
- Removable lifting eye(s) to facilitate handling and installation of the lift table.
- Motor 1 HP.

### Floor Mount Power Unit



The floor mount power unit has the pump motor and tank on the plate frame. This is ideal for placing the power unit under a conveyor or work bench or when remote locations are required. Features 8' hoses, power cord and control cord. Three-button control box has 115 voltage single phase standard on 1,100 lb., 2,200 lb., and 3,300 lb. capacity units. 230/460 voltage three phase is optional.

- Optional Loading Ramp Available



Loading Ramps