



I
N
T
E
G
R
I
T
Y
9

Forward Manufacturing Co., Inc.

Showcasing Our *INTEGRITY I-DP9A Lift*



When Integrity Matters Most!



Forward Manufacturing Company, Inc.
Specifications subject to change without notice or liability

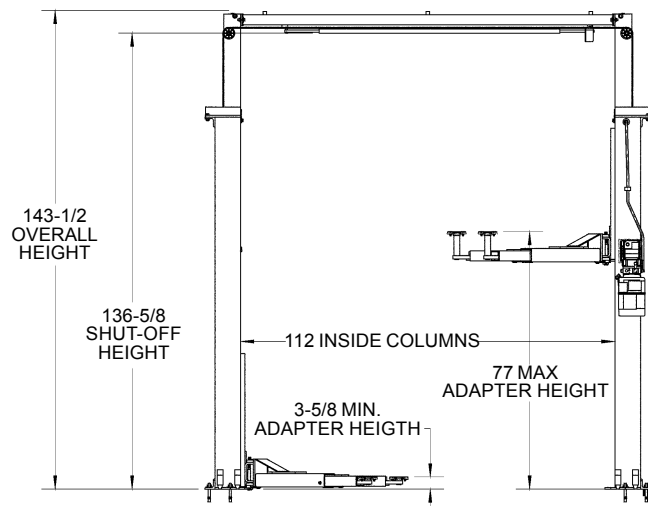
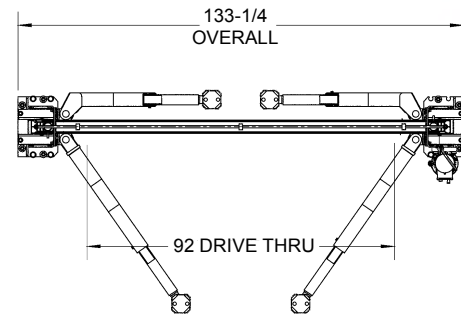
3010 S. Main
 Fort Worth, TX 76110
 Phone: (800) 423-1722
 Fax: (817) 927-7329
 Sales Email: sales@forwardmfg.com
 Service Email: service@forwardmfg.com
 Website: www.forwardmfg.com

Specifications	Integrity I-DP9A
Capacity	9,000 lbs.
Automatic Arm Restraints	YES Precision engineered Gear Style
Padded Shut-off Bar	YES
Overall Height	143 1/2"
Height to Shutoff	136-5/8"
Maximum Lifting Height	77"
Minimum Lifting Pick-up Point	3-5/8"
Overall Floor Width	11' 1-1/4"
Inside Column Width	112"
Drive Through	92"
Ceiling Height Required	12' 0"
Speed of Rise	50 seconds
Voltage	Single Phase, 208-230
Amperage	20 Amp Service
Motor	2 hp motor
Adapters Included	(4) Each 1-1/2", 3", and 6"
Options: 1}	Symmetric model I-DP9S
2}	Three Phase motors
3)	Colors (other than standard Blue) <i>Less than 8 units will add cost</i>

Integrity I-DP9A



- Direct-Pull Lifting Technology
- Automatic Padded Overhead Shutoff Bar
- Automatic Arm Restraints—gear style
- Powder Coat finish
- Baked in heat oven for durable topcoat
- Highly efficient pressure balanced power unit
- Precision manufacturing during past 5 decade
- American manufactured—not an offshore knock-off.



Your Authorized Forward Distributor



Sales & Services provided by our Exclusive
 Team of Nationwide Distributors

Service comes 1st at Forward